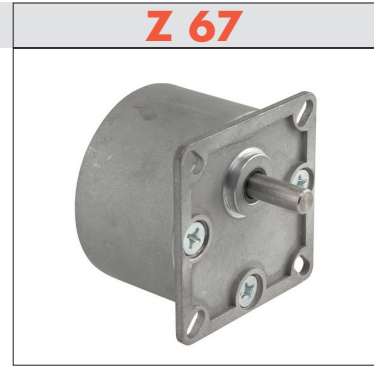


Spur gear

Properties:	General:	Multi-stage, closed spur gear For use in combination with our motors. Single gear with ball-bearing ingoing shaft (2 bearings back-to-back) Lifetime grease lubrication
	Housing:	Zinc diecast, machined User-defined installation
	Tooth system tech.:	Gear-pinion combinations on a common needle bearing Ball bearing end shaft
	Options:	Planet gears



Loading capacity	Max. radial force	N	220									
	Max. axial force	N	22									
	Max. input speed	rpm	4500									
	Temperature range	°C	-20° – +40°									
Mounting	Shaft diameter	mm	8									
	Weight	kg	0,42									
	Mounting part (standard)		front side									
Translations	i	Stages	M (Nm)	η	i	Stages	M (Nm)	η	i	Stages	M (Nm)	η
	5	2	0.35	0.82	60	4	2.8	0.66	160	6	4	0.54
	10	2	0.35	0.82	75	4	2.8	0.66	200	6	4	0.54
	12.5	2	0.35	0.82	80	5	4	0.6	250	6	4	0.54
	20	3	1.4	0.74	100	5	4	0.6	300	6	4	0.54
	25	3	1.4	0.74	125	5	4	0.6	375	6	4	0.54
	30	3	1.4	0.74	150	5	4	0.6	391	6	4	0.54
	40	4	2.8	0.66	188	5	4	0.6	469	6	4	0.54
	50	4	2.8	0.66	234	5	4	0.6	586	6	4	0.54

Dimensions

