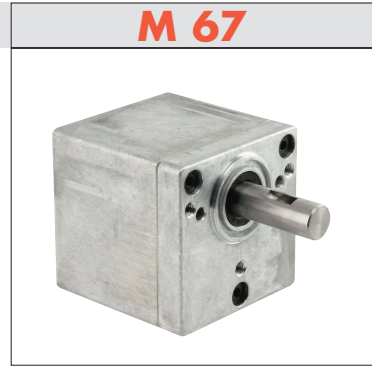


# Spur gear

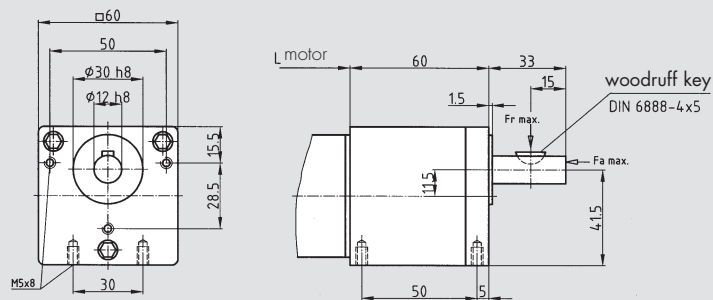
<b>Properties:</b>	General:	Multi-stage, closed spur gear For use in combination with our motors. Single gear with ball-bearing ingoing shaft (2 bearings back-to-back) Lifetime grease lubrication
	Housing:	Zinc-diecast system housing User-defined installation Mounting possibility from all accessible sides
	Tooth system tech.:	Gear-pinion combinations on a common needle bearing Ball bearing end shaft
	Options:	Planet gears



<b>Loading capacity</b>	Max. radial force	N	300
	Max. axial force	N	40
	Max. input speed	rpm	4500
	Temperature range	°C	-20° - +40°
<b>Mounting</b>	Shaft diameter	mm	12
	Weight	kg	0.5
	Mounting part (standard)		front side

Translations	i Stages M (Nm) η				i Stages M (Nm) η				i Stages M (Nm) η			
	5	2	0.35	0.82	100	5	4	0.6	469	6	4	0.54
10	2	0.35	0.82	125	5	4	0.6	586	6	4	0.54	
12,5	2	0.35	0.82	150	5	4	0.6	750	7	4	0.48	
20	3	1.4	0.74	188	5	4	0.6	937	7	4	0.48	
25	3	1.4	0.74	234	5	4	0.6	1172	7	4	0.48	
30	3	1.4	0.74	160	6	4	0.54	1200	8	4	0.44	
40	4	2.8	0.66	200	6	4	0.54	1500	8	4	0.44	
50	4	2.8	0.66	250	6	4	0.54	1875	8	4	0.44	
60	4	2.8	0.66	300	6	4	0.54	2344	8	4	0.44	
75	4	2.8	0.66	375	6	4	0.54	2441	8	4	0.44	
80	5	4	0.6	391	6	4	0.54	2930	8	4	0.44	

## Dimensions



Above:  
Add-on gear  
Below:  
Solo gear

