

Planetary gear

Properties:

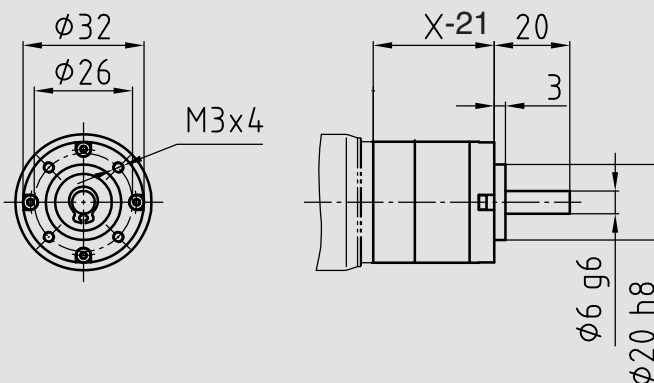
General:	Multi-stage, closed planetary gear For use in combination with our motors. Lifetime grease lubrication
Housing:	Steel annulus, aluminum flange User-defined installation
Tooth system tech.:	Internal gearing, hardened annulus Directly toothed motor shaft, optional shaft-mounted pinion Ball bearing end shaft
Options:	Special shafts



			1-stage	2-stage	3-stage	4-stage
Loading capacity	Max. radial force	N	40	70	100	130
	Max. axial force	N	10	20	30	40
	Max. input speed	rpm	3000	3000	3000	3000
	Temperature range	°C	-20° - +40°	-20° - +40°	-20° - +40°	-20° - +40°
	Backlash	°DEG	1,5	2	2,5	3
Mounting	Shaft diameter	mm	6	6	6	6
	Weight	kg	0.16	0.21	0.26	0.31

Transmission ratio	i	Stages			M (Nm)	η	i	Stages			M (Nm)	η
	3.7	1	0.75	0.8	51	3	4.5	0.7	264	4	4.5	0.65
	4.3	1	0.75	0.8	59	3	4.5	0.7	352	4	4.5	0.65
	5.2	1	0.75	0.8	68	3	4.5	0.7	369	4	4.5	0.65
	6.8	1	0.75	0.8	79	3	4.5	0.7	408	4	4.5	0.65
	13.7	2	2.25	0.75	93	3	4.5	0.7	459	4	4.5	0.65
	15.9	2	2.25	0.75	100	3	4.5	0.7	516	4	4.5	0.65
	18.4	2	2.25	0.75	115	3	4.5	0.7	672	4	4.5	0.65
	22	2	2.25	0.75	130	3	4.5	0.7	837	4	4.5	0.65
	26.9	2	2.25	0.75	150	3	4.5	0.7	1012	4	4.5	0.65
	29	2	2.25	0.75	181	3	4.5	0.7	1223	4	4.5	0.65
	35	2	2.25	0.75	236	3	4.5	0.7	1594	4	4.5	0.65
	46	2	2.25	0.75	308	3	4.5	0.7	2076	4	4.5	0.65

Dimensions



	1-stage	2-stage	3-stage	3-stage
X	42	51.5	61	71.5

Dimension X may vary depending on mounting type and engine size