

# Three-phase asynchronous motor

**Properties:**

Connection: 400 V / 50 Hz three-phase system  
 Optional designs for other mains voltages / frequencies  
 Optional design for a frequency converter with 3 x 230 V  
 Cable connection, optional plug-in connector

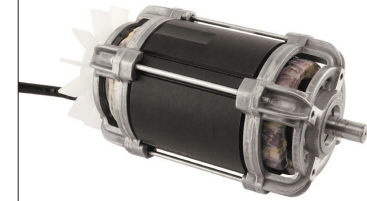
Service life: 20,000 hours, S1 duty

Insulation mat. class: F

System of protection: IP 00 (open design)

Special model: Design for short-time duty with high performance

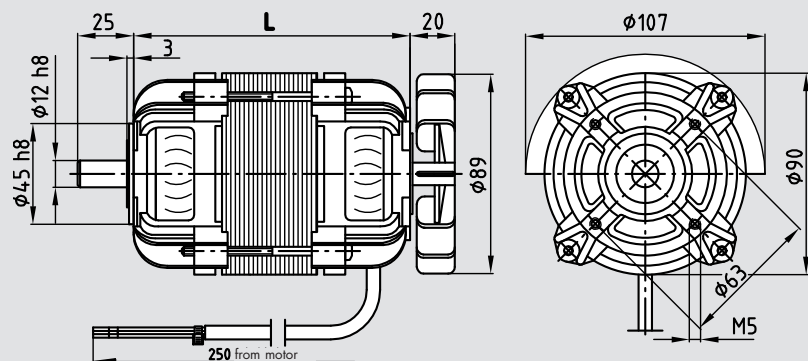
Options: Thermal protection, special shafts, custom designed



Type	Name	U	AC voltage	Ds 9040-2	Ds 9060-2	Ds 9080-2
	Nominal voltages			400	400	400
<b>Specification</b>	Nominal power	P <sub>2</sub>	W	256	382	509
	Nominal speed	n <sub>nom</sub>	rpm	2750	2750	2750
	Nominal torque	T <sub>nom</sub>	Ncm	89	133	177
	Starting torque	T <sub>A</sub>	Ncm	210	310	410
	Nominal current	I <sub>nom</sub>	mA	960	1050	1090
	No-load current	I <sub>0</sub>	mA	845	865	750
<b>Characteristics</b>	Locked rotor speed	n <sub>break</sub>	rpm	-	-	-
	Locked rotor torque	T <sub>break</sub>	Ncm	-	-	-
	Nominal efficiency	η		0.64	0.70	0.72
<b>Connection</b>	Terminal resistance	R	Ohm	35	52	37
	Input power	P <sub>1</sub>	W	390	535	582
<b>Dynamics</b>	Weight	m	kg	2.5	3.2	3.9
	Moment of inertia	J	gcm <sup>2</sup>	1100	1532	1964
<b>Thermal</b>	Adm. ambient temperature	T <sub>a</sub>	°C	-20 to +40	-20 to +40	-20 to +40
	Max. adm. stator temperature	T <sub>max</sub>	°C	+120	+120	+120
<b>Coupling</b>	Shaft diameter	d	mm	12	12	12
	Max. axial force	F <sub>a</sub>	N	65	65	65
	Max. radial force	F <sub>r</sub>	N	700	700	700

## Dimensions

Type	L / mm
Ds 9040-2	121
Ds 9060-2	141
Ds 9080-2	161

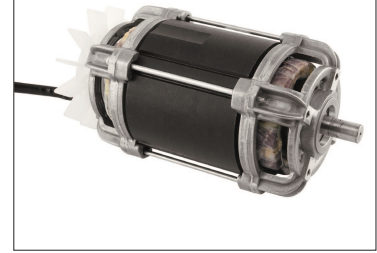


## System technology

<b>Recommended combinations</b> other gears and extensions upon request	Worm gear	SC 401
	Spur gear	M 10
	Planetary gear	PM 80
	Rotary encoder	upon request
	Brake	upon request

# Three-phase asynchronous motor

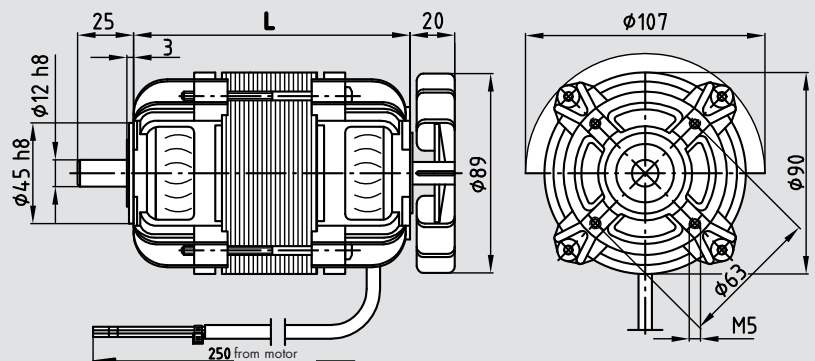
<b>Properties:</b>	Connection:	400 V / 50 Hz three-phase system Optional designs for other mains voltages / frequencies Optional design for a frequency converter with 3 x 230 V Cable connection, optional plug-in connector
	Service life:	20,000 hours, S1 duty
	Insulation mat. class:	F
	System of protection:	IP 00 (open design)
	Special model:	Design for short-time duty with high performance
	Options:	Thermal protection, special shafts, custom designed



Type	Name			Ds 9040-4	Ds 9060-4	Ds 9080-4
	Nominal voltages	U	AC voltage	400	400	400
<b>Specification</b>	Nominal power	P <sub>2</sub>	W	108	176	226
	Nominal speed	n <sub>nom</sub>	rpm	1350	1350	1350
	Nominal torque	T <sub>nom</sub>	Ncm	77	125	160
	Starting torque	T <sub>A</sub>	Ncm	140	200	280
	Nominal current	I <sub>nom</sub>	mA	474	620	670
	No-load current	I <sub>0</sub>	mA	480	620	670
<b>Characteristics</b>	Locked rotor speed	n <sub>break</sub>	rpm	-	-	-
	Locked rotor torque	T <sub>break</sub>	Ncm	-	-	-
	Nominal efficiency	η		0.50	0.58	0.70
<b>Connection</b>	Terminal resistance	R	Ohm	200	64	48
	Input power	P <sub>1</sub>	W	246	295	315
<b>Dynamics</b>	Weight	m	kg	2.5	3.2	3.9
	Moment of inertia	J	gcm <sup>2</sup>	1771	2468	3164
<b>Thermal</b>	Adm. ambient temperature	T <sub>a</sub>	°C	-20 to +40	-20 to +40	-20 to +40
	Max. adm. stator temperature	T <sub>max</sub>	°C	+120	+120	+120
<b>Coupling</b>	Shaft diameter	d	mm	12	12	12
	Max. axial force	F <sub>a</sub>	N	65	65	65
	Max. radial force	F <sub>r</sub>	N	700	700	700

## Dimensions

Type	L / mm
Ds 9040-4	121
Ds 9060-4	141
Ds 9080-4	161



## System technology

### Recommended combinations

other gears and extensions upon request

Worm gear	SC 401
Spur gear	M 10
Planetary gear	PM 80

Rotary encoder	upon request
Brake	upon request