

Single-phase asynchronous motor

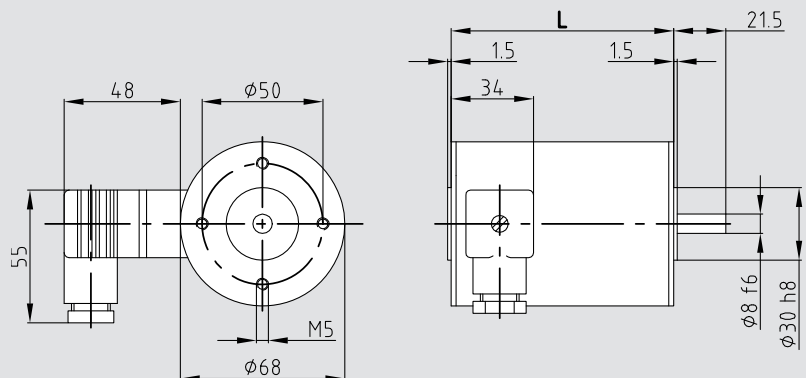
Properties: Connection: 230 V / 50 Hz AC system , optional designs for 110 V / 60 Hz or other voltages / frequencies
 Running capacitor required
 Connections using K2 type plug-in connectors
 Service life: 20,000 hours, S1 duty
 Insulation mat. class: B, optional F
 System of protection: IP 44, optional up to IP 65
 Special model: Design for short-time duty with high performance
 Options: Thermal protection, special shafts, special flanges, custom designed, stainless steel



Type	Name	U	AC voltage	K 642	K 662		
	Nominal voltages			230	230		
Specification	Nominal power	P ₂	W	19	26		
	Nominal speed	N _{nom}	rpm	2650	2650		
	Nominal torque	T _{nom}	Ncm	7.0	9.5		
	Starting torque	T _S	Ncm	5	6		
	Nominal current	I _{nom}	mA	174	252		
	No-load current	I ₀	mA	94	207		
Characteristics	Locked rotor speed	n _{break}	rpm	2000	2250		
	Locked rotor torque	T _{break}	Ncm	8.5	14.0		
	Nominal efficiency	η		0.47	0.52		
Connection	Terminal resistance	R	Ohm	251	142		
	Input power	P ₁	W	39.5	50.0		
	Running capacitor	C	μF	2.0	2.5		
Dynamics	Weight	m	kg	1.2	1.7		
	Moment of inertia	J	gcm ²	390	595		
Thermal	Adm. ambient temperature	T _a	°C	-20 to +40	-20 to +40		
	Max. adm. stator temperature	T _{max}	°C	+120	+120		
Coupling	Shaft diameter	d	mm	8	8		
	Max. axial force	F _a	N	20	20		
	Max. radial force	F _r	N	220	220		

Dimensions

Type	L / mm
K 642	92
K 662	112



System technology

Recommended combinations other gears and extensions upon request	Worm gear	S 567	S 668
	Spur gear	Z 6	Z 8 M 7
	Planetary gear	PM 50	
Rotary encoder	RV 30	RI 30	
Brake	B 3		

Single-phase asynchronous motor

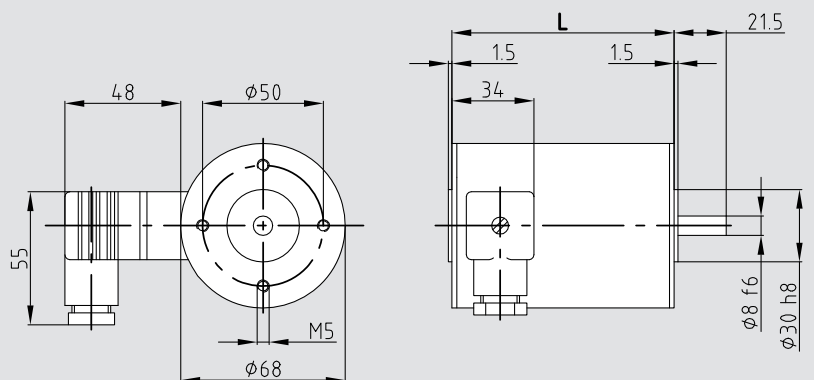
Properties:	<p>Connection: 230 V / 50 Hz AC system , optional designs for 110 V / 60 Hz or other voltages / frequencies Running capacitor required Connections using K2 type plug-in connectors</p> <p>Service life: 20,000 hours, S1 duty</p> <p>Insulation mat. class: B, optional F</p> <p>System of protection: IP 44, optional up to IP 65</p> <p>Special model: Design for short-time duty with high performance</p> <p>Options: Thermal protection, special shafts, special flanges, custom designed, stainless steel</p>
--------------------	--



Type	Name			K 644	K 664		
	Nominal voltages	U	AC voltage	230	230		
Specification	Nominal power	P ₂	W	9.4	13.7		
	Nominal speed	N _{nom}	rpm	1250	1250		
	Nominal torque	T _{nom}	Ncm	7.2	10.5		
	Starting torque	T _S	Ncm	5.6	9		
	Nominal current	I _{nom}	mA	150	170		
	No-load current	I ₀	mA	96	95		
Characteristics	Locked rotor speed	n ^{break}	rpm	900	800		
	Locked rotor torque	T _{break}	Ncm	9	12		
	Nominal efficiency	η		0.32	0.36		
Connection	Terminal resistance	R	Ohm	441	382		
	Input power	P ₁	W	22.5	31.0		
	Running capacitor	C	μF	1.5	2.0		
Dynamics	Weight	m	kg	1.2	1.7		
	Moment of inertia	J	gcm ²	390	595		
Thermal	Adm. ambient temperature	T _a	°C	-20 to +40	-20 to +40		
	Max. adm. stator temperature	T _{max}	°C	+120	+120		
Coupling	Shaft diameter	d	mm	8	8		
	Max. axial force	F _a	N	20	20		
	Max. radial force	F _r	N	220	220		

Dimensions

Type	L / mm
K 644	92
K 664	112



System technology

Recommended combinations other gears and extensions upon request	Worm gear	S 567	S 668
	Spur gear	Z 6	Z 8 M 7
	Planetary gear	PM 50	
	Rotary encoder	RV 30	RI 30
	Brake	B 3	