

Single-phase asynchronous motor

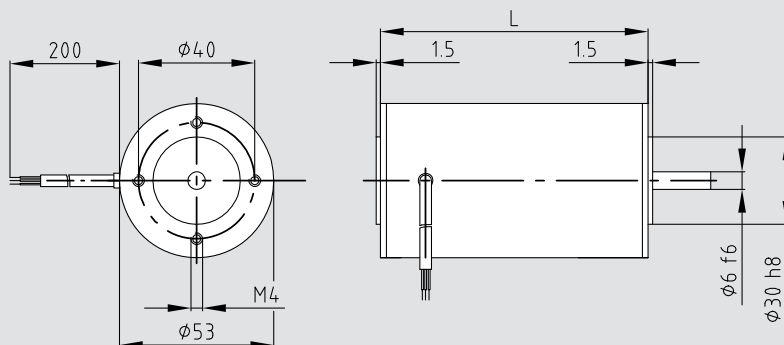
| | | |
|--------------------|------------------------|--|
| Properties: | Connection: | 230 V / 50 Hz AC system , optional designs for 110 V / 60 Hz or other voltages / frequencies Running capacitor required Cable connection, optional plug-in connector |
| | Service life: | 20,000 hours, S1 duty |
| | Insulation mat. class: | B, optional F |
| | System of protection: | IP 40, optional up to IP 65 |
| | Special model: | Design for short-time duty with high performance |
| | Options: | Thermal protection, special gears, special flanges, custom designed |



| Type | Name | U | AC voltage | K 542 | K 562 | | |
|------------------------|------------------------------|--------------------|------------------|------------|------------|--|--|
| | Nominal voltages | | | 230 | 230 | | |
| Specification | Nominal power | P ₂ | W | 9.5 | 13.1 | | |
| | Nominal speed | n | nom rpm | 2600 | 2600 | | |
| | Nominal torque | T _{nom} | Ncm | 3.5 | 4.8 | | |
| | Starting torque | T _S | Ncm | 2.5 | 2.6 | | |
| | Nominal current | I _{nom} | mA | 146 | 110 | | |
| | No-load current | I ₀ | mA | 136 | 165 | | |
| Characteristics | Locked rotor speed | n _{break} | rpm | 2150 | 2200 | | |
| | Locked rotor torque | T _{braek} | Ncm | 6 | 7 | | |
| | Nominal efficiency | η | | 0.36 | 0.47 | | |
| Connection | Terminal resistance | R | Ohm | 395 | 530 | | |
| | Input power | P ₁ | W | 28 | 25 | | |
| | Running capacitor | C | μF | 1.5 | 1.5 | | |
| Dynamics | Weight | m | kg | 0.7 | 1.0 | | |
| | Moment of inertia | J | gcm ² | 128 | 200 | | |
| Thermal | Adm. ambient temperature | T _a | °C | -20 to +40 | -20 to +40 | | |
| | Max. adm. stator temperature | T _{max} | °C | +120 | +120 | | |
| Coupling | Shaft diameter | d | mm | 6 | 6 | | |
| | Max. axial force | F _a | N | 8 | 8 | | |
| | Max. radial force | F _r | N | 100 | 100 | | |

Dimensions

| Type | L / mm |
|-------|--------|
| K 542 | 92 |
| K 562 | 112 |



System technology

| | | |
|--|----------------|------------|
| Recommended combinations other gears and extensions upon request | Worm gearing | S 567 |
| | Spur gear | Z 5 Z 6 |
| | Planetary gear | PM 40 |
| | Rotary encoder | |
| | Brake | BFK 457 |

Single-phase asynchronous motor

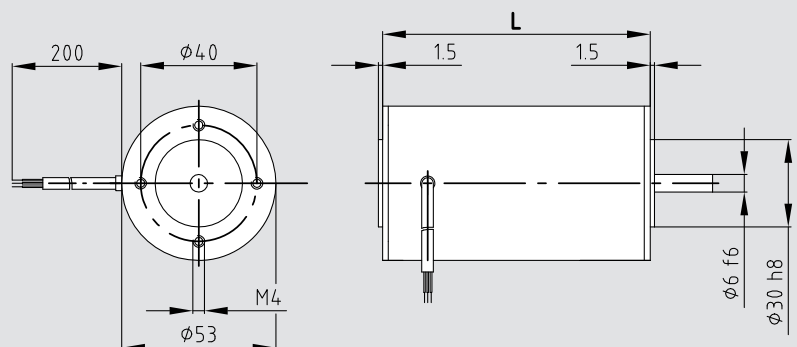
| | |
|--------------------|--|
| Properties: | <p>Connection: 230 V / 50 Hz AC system , optional designs for 110 V / 60 Hz or other voltages / frequencies Running capacitor required Cable connection, optional plug-in connector</p> <p>Service life: 20,000 hours, S1 duty</p> <p>Insulation mat.class: B, optional F</p> <p>System of protection: IP 40, optional up to IP 65</p> <p>Special model: Design for short-time duty with high performance</p> <p>Options: Thermal protection, special shafts, special flanges, custom designed</p> |
|--------------------|--|



| Type | Name | U | AC voltage | K 544 | K 564 | | |
|------------------------|------------------------------|--------------------|------------------|------------|------------|--|--|
| | Nominal voltages | | | 230 | 230 | | |
| Specification | Nominal power | P ₂ | W | 3.0 | 4.8 | | |
| | Nominal speed | N _{nom} | rpm | 1200 | 1200 | | |
| | Nominal torque | T _{nom} | Ncm | 2.4 | 3.8 | | |
| | Starting torque | T _A | Ncm | 2.6 | 3.4 | | |
| | Nominal current | I _{nom} | mA | 67 | 100 | | |
| | No-load current | I ₀ | mA | 64 | 90 | | |
| Characteristics | Locked rotor speed | n _{break} | rpm | 1000 | 1050 | | |
| | Locked rotor torque | T _{break} | Ncm | 3.4 | 5.1 | | |
| | Nominal efficiency | η | | 0.20 | 0.22 | | |
| Connection | Terminal resistance | R | Ohm | 1615 | 1110 | | |
| | Input power | P ₁ | W | 15 | 22 | | |
| | Running capacitor | C | μF | 1.0 | 1.5 | | |
| Dynamics | Weight | m | kg | 0.7 | 1.0 | | |
| | Moment of inertia | J | gcm ² | 128 | 200 | | |
| Thermal | Adm. ambient temperature | T _a | °C | -20 to +40 | -20 to +40 | | |
| | Max. adm. stator temperature | T _{max} | °C | +120 | +120 | | |
| Coupling | Shaft diameter | d | mm | 6 | 6 | | |
| | Max. axial force | F _a | N | 8 | 8 | | |
| | Max. radial force | F _r | N | 100 | 100 | | |

Dimensions

| Type | L / mm |
|-------|--------|
| K 544 | 92 |
| K 564 | 112 |



System technology

Recommended combinations
other gears and extensions upon request

| | |
|----------------|---------|
| Worm gear | S 567 |
| Spur gear | Z 5 Z 6 |
| Planetary gear | PM 40 |
| Rotary encoder | |
| Brake | BFK 457 |